

X-Biology Terminal Paper

Objective Type Questions (30 marks)

Duration: 1 hour

* Required

1. Email address *

2. Name of the student *

Q.1) Name the following:

3. a) The hormone secreted by adrenal medulla. *

1 point

4. b) The cells of the eye which is stimulated by bright light. *

1 point

5. c) The structure which connects the two cerebral hemispheres of the brain. 1 point

*

6. d) Tiny pores through which guttation takes place. *

1 point

7. e) The membrane covering the heart *

1 point

Q.2) Complete the following pairs to represent the relationship between the structure and their functional activity. Eg - Glomerulus and ultrafiltration.

8. a) Blood platelets and _____ * 1 point

9. b) Cerebellum and _____ * 1 point

10. c) Pacemaker and _____ * 1 point

11. d) Insulin and _____ * 1 point

12. e) Myelin sheath and _____ * 1 point

Q.3) Choose the odd one out. Also write the category in which other terms belong:

13. a) Blinking, swallowing, knee jerk, playing a musical instrument * 1 point

14. b) Pituitary, Pancreas, Adrenal, Pharynx * 1 point

15. c) Pupil, Iris, Stapes, Sclera * 1 point

16. d) Spinal cord, sensory fibre, motor neuron, cranium * 1 point

17. e) Dendron, dendrite, axon, spinal cord * 1 point

Q.4) State whether the following statements are True or False. Correct and rewrite the false statements by changing the first or last word only.

18. a) Hyperopia is a defect of the eyeball being elongated. * 1 point

19. b) Beta cells of the pancreas secrete insulin. * 1 point

20. c) Endosmosis results in turgidity. * 1 point

21. d) Meiosis produces two daughter cells. * 1 point

22. e) Sclerotic layer is richly supplied with blood vessels. * 1 point

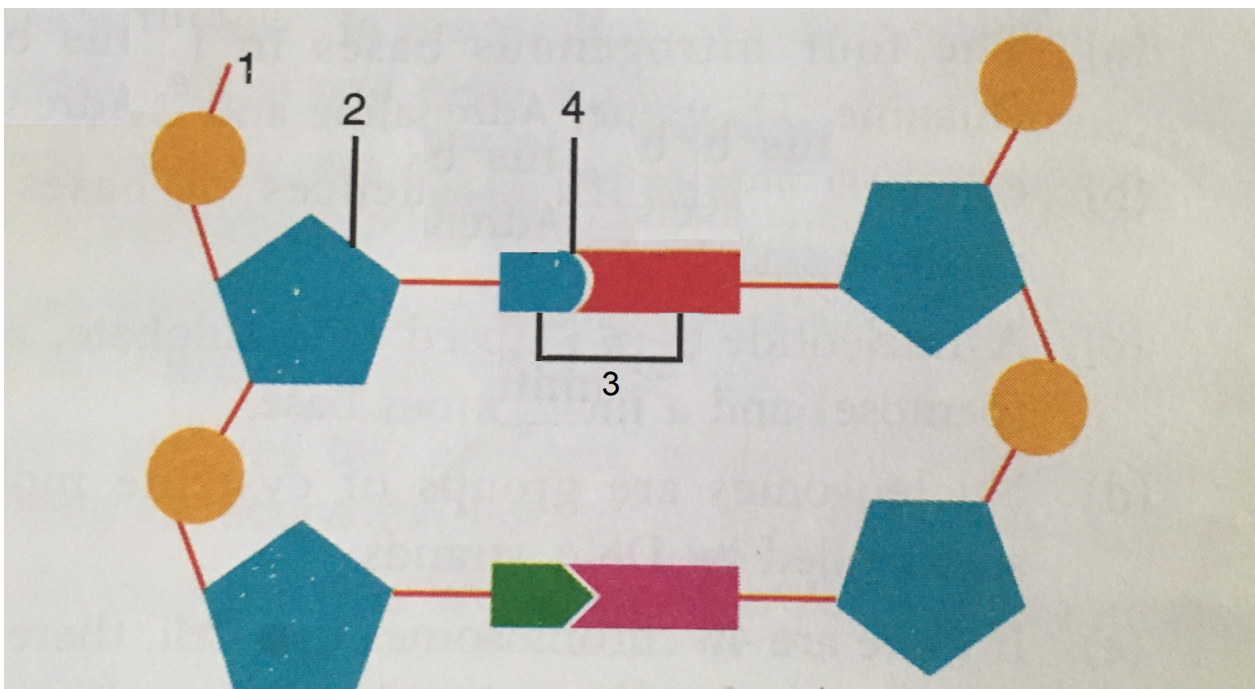
23. Q.5) Select the correct option: *

5 points

Mark only one oval per row.

	Thyroid	Leukocytes	Pancreas	Pituitary	Adrenal
Diabetes Mellitus	<input type="radio"/>	<input type="radio"/>	<input type="radio"/>	<input type="radio"/>	<input type="radio"/>
Diabetes insipidus	<input type="radio"/>	<input type="radio"/>	<input type="radio"/>	<input type="radio"/>	<input type="radio"/>
Cretinism	<input type="radio"/>	<input type="radio"/>	<input type="radio"/>	<input type="radio"/>	<input type="radio"/>
Addison's disease	<input type="radio"/>	<input type="radio"/>	<input type="radio"/>	<input type="radio"/>	<input type="radio"/>
Leukemia	<input type="radio"/>	<input type="radio"/>	<input type="radio"/>	<input type="radio"/>	<input type="radio"/>

Q.6) Given below is a schematic diagram of portion of DNA.



24. a) How many strands are shown in the diagram? *

1 point

25. b) How many nucleotides have been shown in each strand? *

1 point

26. c) Name the parts numbered 1, 2, 3 and 4. *

2 points

27. d) Name the DNA unit constituted by the parts 1, 2 and 3 collectively. *

1 point

This content is neither created nor endorsed by Google.

Google Forms