

GREENLAWNS HIGH SCHOOL
FINAL EXAMINATION YEAR 2025 - 26
TECHNICAL DRAWING APPLICATIONS

CLASS : IX

TIME : 3 HOURS

MARKS : 100

Instructions:

- You must attempt 3 questions from Section A and 2 questions from Section B
- Each Section must be answered on separate sheet.
- All construction lines must be shown.
- All dimensions are in mm.
- The intended marks for questions are given in brackets.

SECTION A (48Marks)

(Attempt any 3)

- Q.1a) Draw a Pentagon of side 35mm. Describe five circles outside the pentagon Such that each circle touches one side of the pentagon and two other circles. (16)
- Q.2a) Construct an ELLIPSE by using OBLONG METHOD (16)
Given: Major Axis = 130mm
Minor Axis = 70mm
- Q.3 Refer Figure(1) below. Copy the given figure. Insert any six dimensions (16)

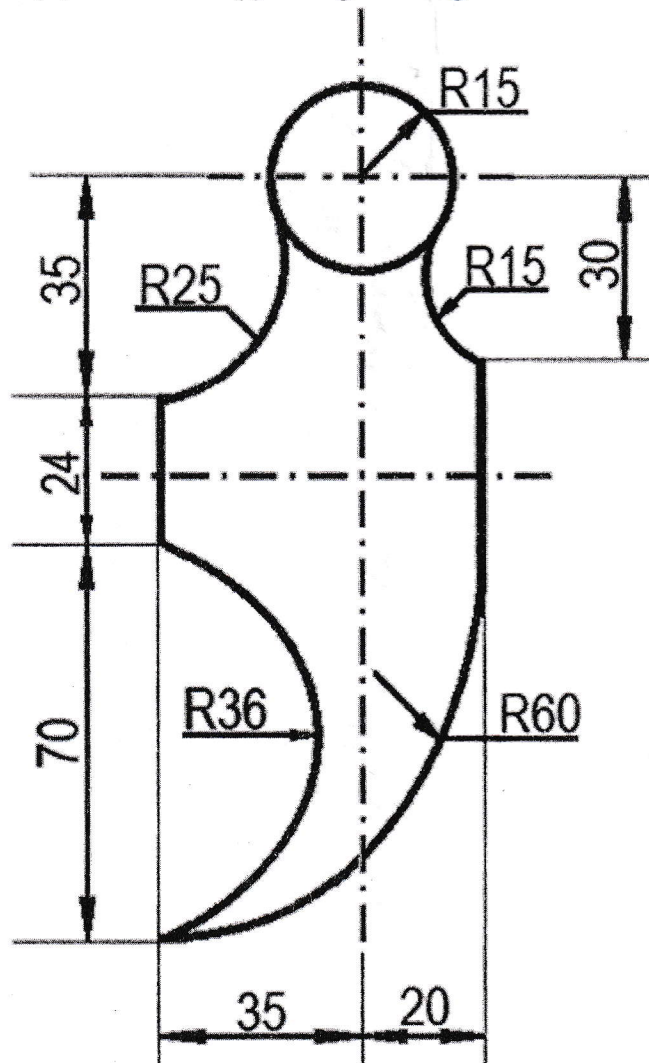


Figure (1)

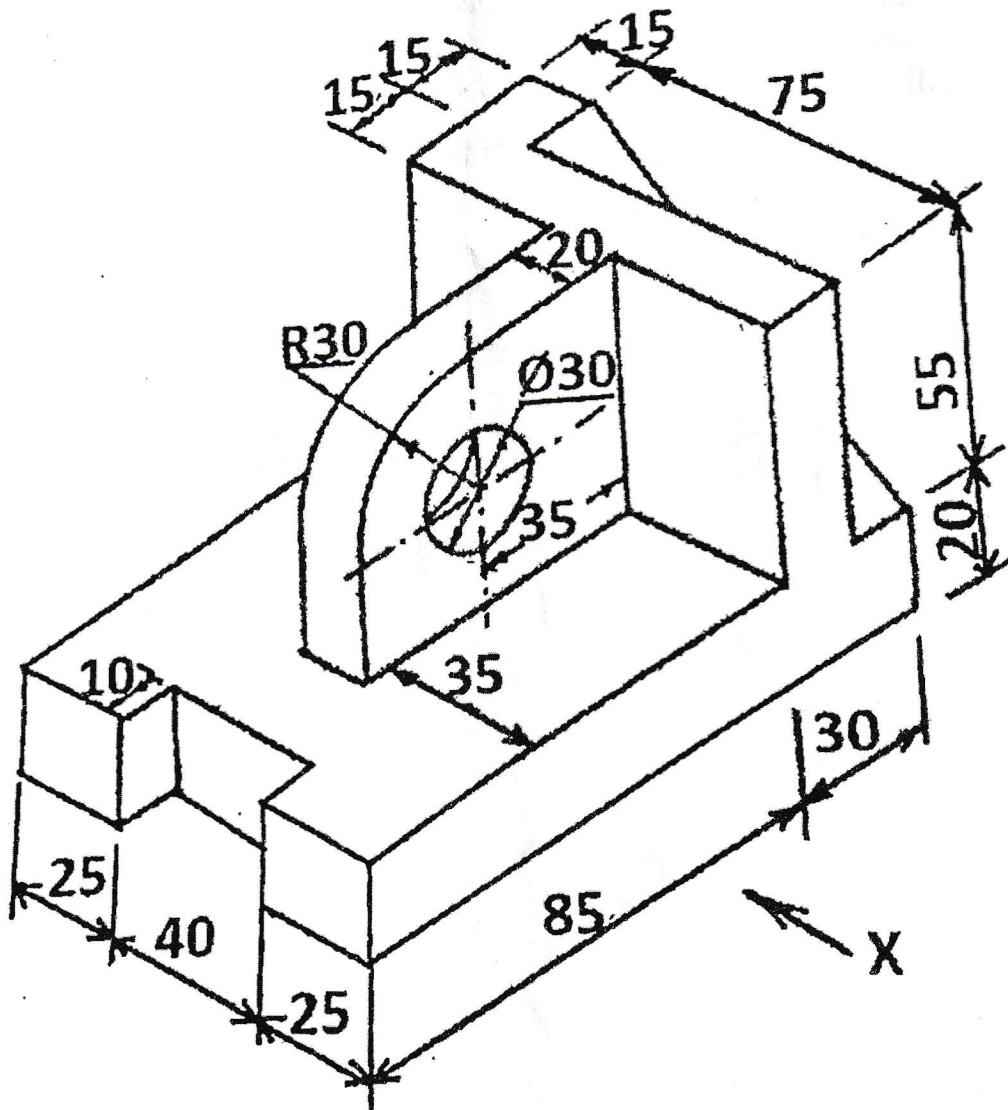
p.t.o

- Q4 Construct a PARABOLA of Base length = 110mm and Axis height = 70mm Using TANGENT Method? (16)
- Q5a) Draw DCT to two circles of radii 45mm and 20mm and distance between their centres is 108mm. Measure and record its length. (8)
- b) Draw an octagon with distance across its flats 90mm. Measure the side of the octagon. (8)

SECTION B (52 Marks)

(Attempt both question 6 and 7)

- Q6 Refer Figure (2) below. Draw using First Angle method of projection (26)
- Front View
 - Top view
 - Left hand side view



Figure(2)

Q.7 Copy the given Isometric figure given below in Figure (3). Do not insert any Dimensions. Mention 'o' and 30°. (26)

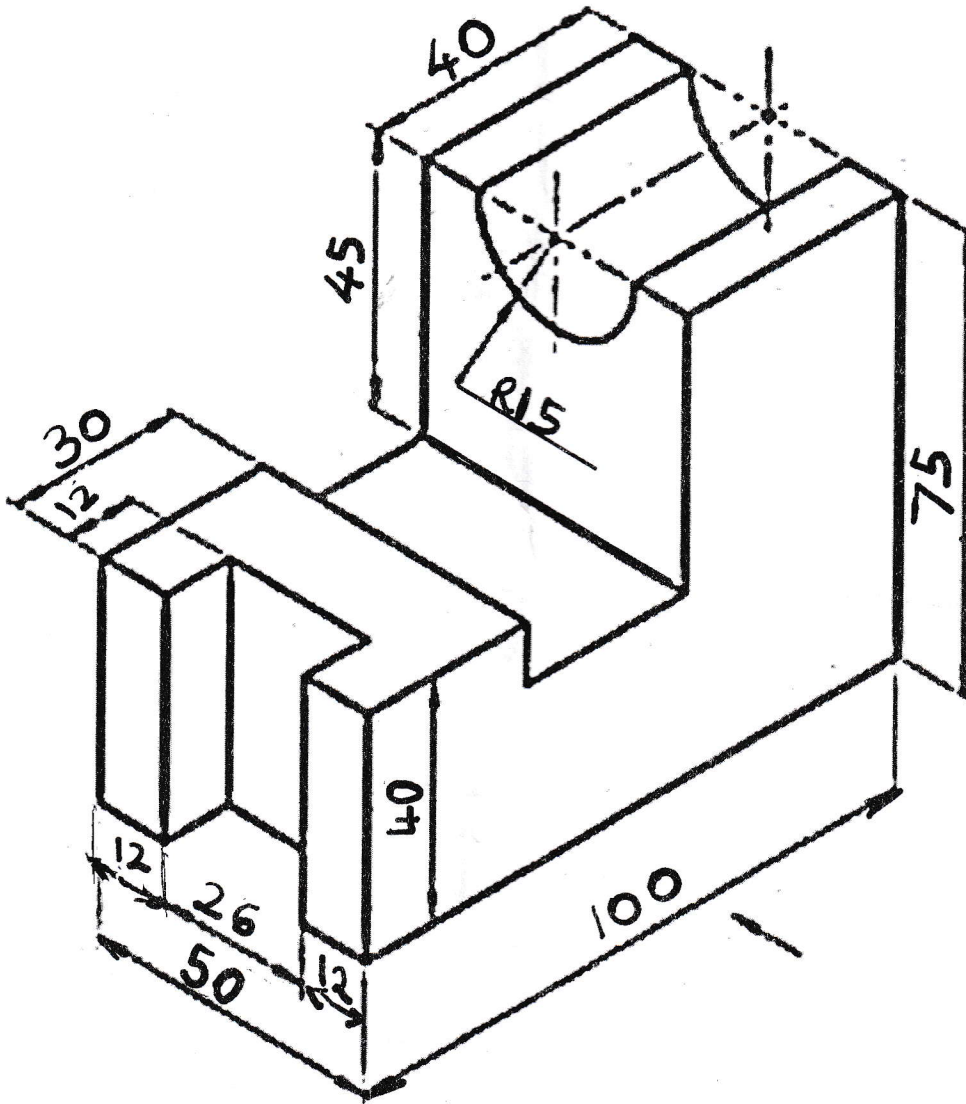


Figure (3)