

GREENLAWNS HIGH SCHOOL
FINAL EXAMINATION YEAR 2021
TECHNICAL DRAWING APPLICATIONS

CLASS : IX

TIME: 1.5 HOURS

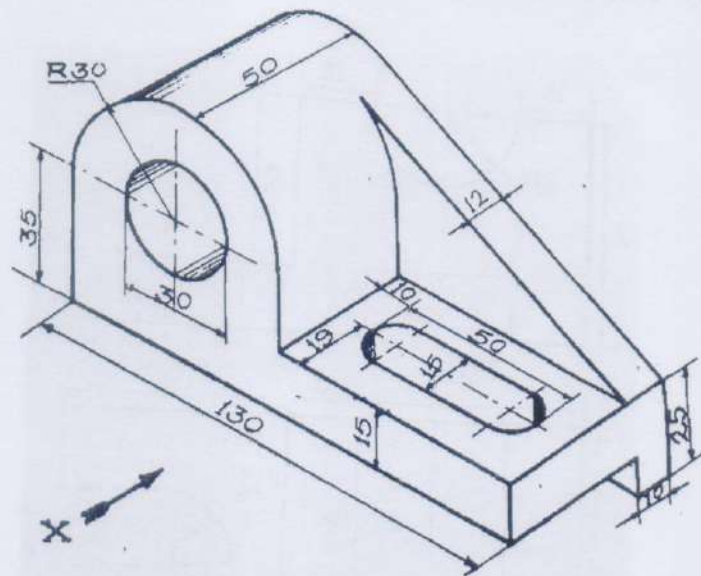
MARKS : 40

Instructions:

1. Students must read the question carefully.
2. Solve the paper on loose sheets of paper
3. Write your name Std Roll No. on each sheet
4. Click a picture and upload the images to teams as a pdf.
Name your pdf as roll no.,name,std ,division.
5. Turn in the assessment once you are done.
6. Question no. 1 is compulsory
7. Attempt any 1 questions from the other two

Q.1 Refer Figure (1) below. Draw using First Angle method of projection (20)

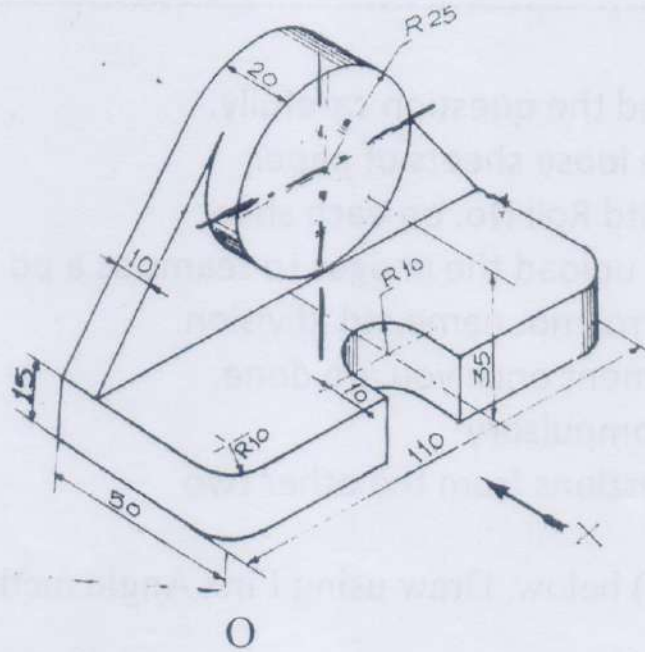
- a. Front View
- b. Top view
- c. Right hand Side view



Figure(1)

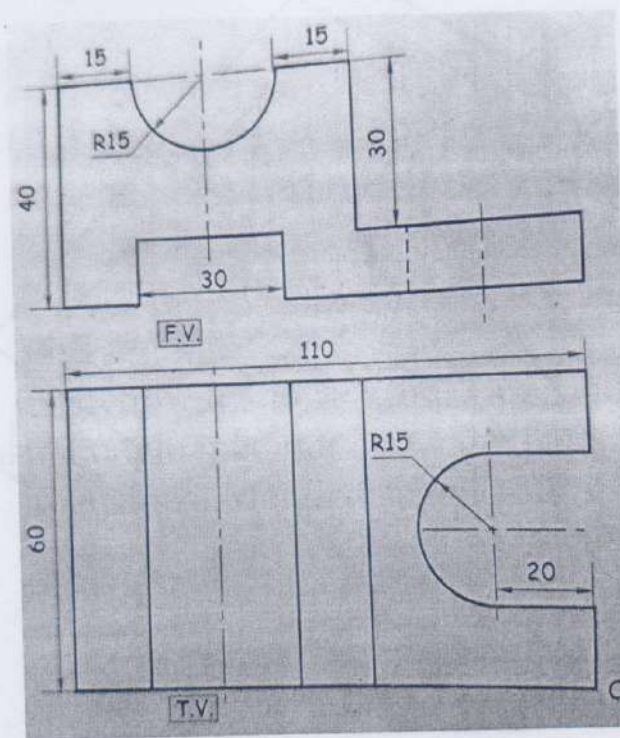
(ATTEMPT ANY 1)

- Q.2. Refer Figure (2) below. It shows isometric view of an object. (20)
Copy the given Figure. Do not insert any Dimensions. Mention 'o' and 30° .



Figure(2)

- Q3. Refer Figure (3) below. It shows Front view and Top view of (20)
An object in first angle method. Draw the Isometric view. Do not
insert any dimensions. Mention 'o' and 30° .



Figure(3)