

GREENLAWNS HIGH SCHOOL
FINAL EXAMINATION YEAR 2021
TECHNICAL DRAWING APPLICATIONS

CLASS : IX

TIME: 1.5 HOURS

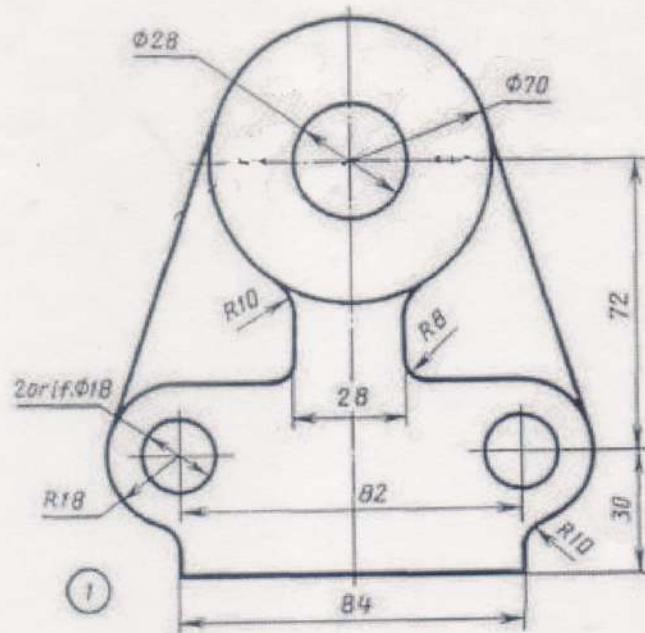
MARKS : 40

Instructions:

1. Students must read the question carefully.
2. Solve the paper on loose sheets of paper
3. Write your name Std Roll No. on each sheet
4. Click a picture and upload the images to teams as a pdf f.
Name your pdf as roll no.,name,std ,division.
5. Turn in the assessment once you are done.

6. ATTEMPT ALL QUESTIONS

- Q.1 Refer Figure (1) below. Copy the Given Template. Show All constructions and centres found clearly. Do not insert any dimensions. (12)



Figure(1)

Q.2. Construct a Pentagon of side 45mm. Draw a triangle equal in area to the pentagon by elimination of corners. (8)

CLASS : IX

Q3. Construct an Ellipse of Major Axis 120mm and Axis height 60mm using Concentric Circle Method (12)

Instructions:

Q4. Construct a Rectangle of Length 100mm and Breadth 40mm (8)
2. Draw a Square equal in area to the Rectangle .

3. Write your name Std Roll No. on each sheet

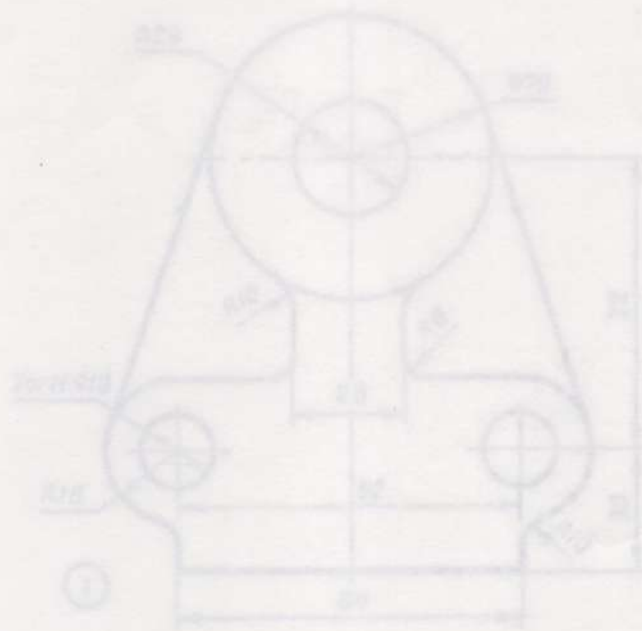
4. Click a picture and upload the images to teams as a pdf.

Name your pdf as roll no. name std. division.

5. Turn in the assessment once you are done.

ATTEMPT ALL QUESTIONS

Q.1 Refer Figure (1) below. Copy the Given Template. Show All constructions and centres found clearly. (12)
Do not insert any dimensions.



Figure(1)