

GREENLAWNS HIGH SCHOOL
TERMINAL EXAMINATION YEAR 2022
TECHNICAL DRAWING APPLICATIONS

CLASS : IX

TIME : 2 HOURS

MARKS : 60

Instructions:

- You must attempt 2 questions from Section A and one(Compulsory) question from Section B compulsory
- Each Section must be answered on separate sheet.
- All construction lines must be shown.
- All dimensions are in mm.
- The intended marks for questions are given in brackets.

SECTION A (40Marks)
(Attempt any 2)

- Q.1a) Construct a pentagon inside a Circle of radii 55mm. Mention the side of the Pentagon.(Use proper construction) (10)
- b) Draw a square of side 80mm . Draw four circles inside the square such that each circle touches two sides of the square and two other circles. (10)
- Q.2 a) Draw Three Circles inside a Hexagon of side 60mm, such that each circle touches One side of the Hexagon and two other circles. (12)
- b) Construct a Triangle PQR of Perimeter 135mm and sides PQ:QR:RP are in the ratio of 3:5:4. Take the largest side as the base. (8)
- Q.3a) Construct a DCT and TCT to two circles of radii 45mm and 30mm each and distance between their centres 115mm. Measure and record its length. (12)
- b) Find the Circumference of a circle of radii 35mm . Measure and record it's length. (8)

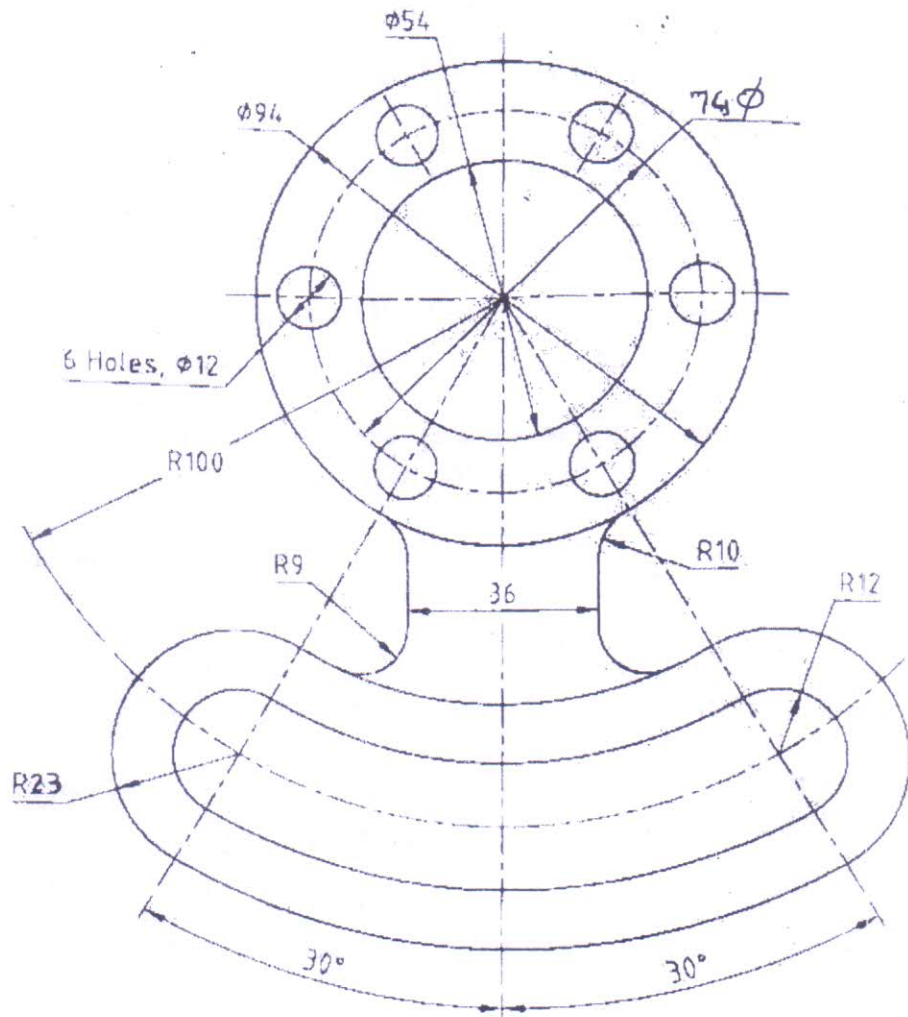
p.t.o

SECTION B (20 Marks)

(Q4 compulsory)

Q.4 Refer **Figure (1)**. Copy the given figure . Insert any six dimensions.

(20)



Figure(1)